



**CONTROLLED**

# RHINO-RACK

## Foxwing Universal Tubular Long Bracket Instruction

Place these instructions in the vehicle's glove box after installation is complete.

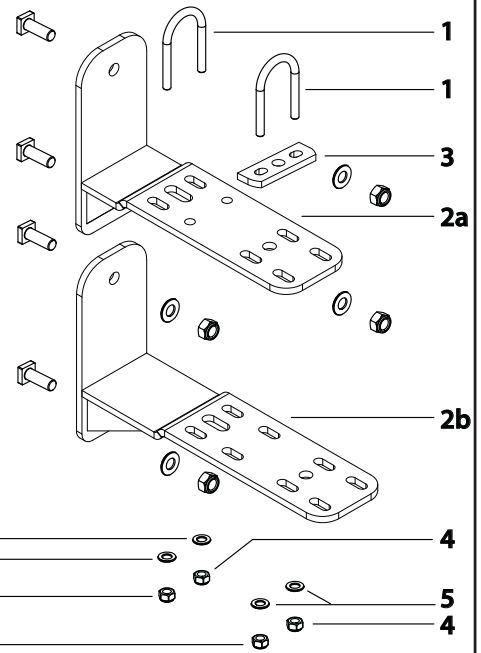
**Important:** Please read these instructions carefully prior to installation.  
Check the contents of kit before commencing fitment and report any discrepancies

**This kit is to be used in conjunction with the fitting kit supplied with your Rhino Rack FOXWING Awning by OZTENT**

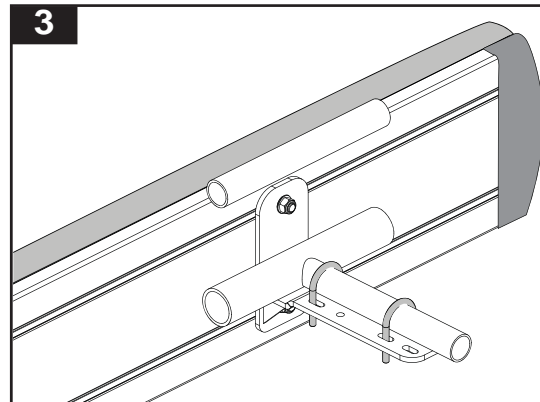
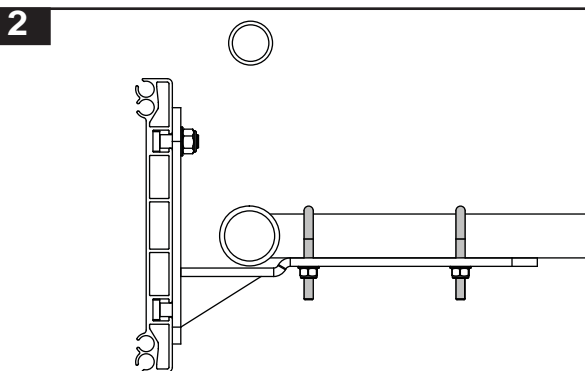
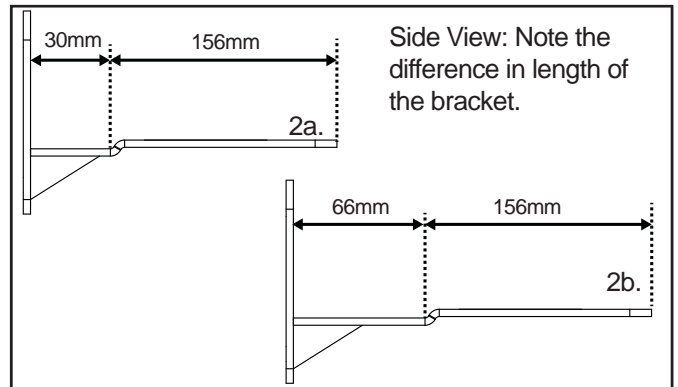
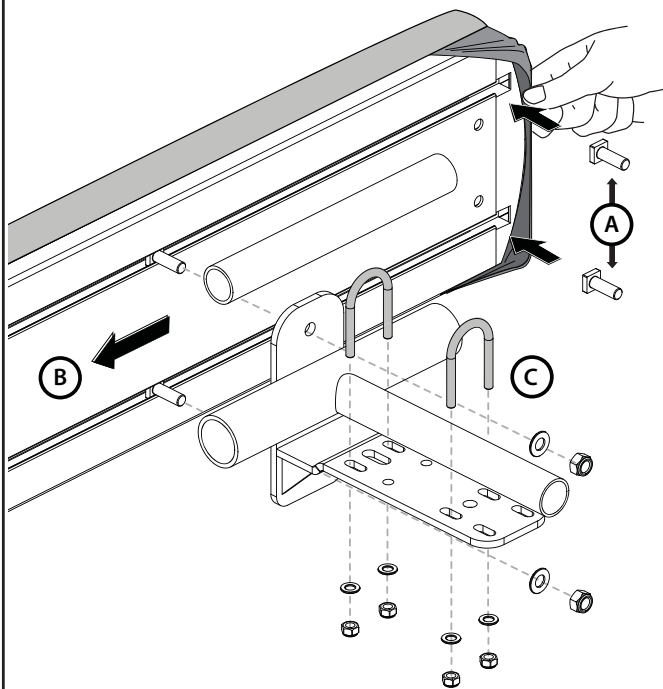
### Parts List

Item	Component Name	Qty	Part No.
1	U-bolt 28mm Round	6	C752
2a*	Foxwing Roof Tray Bracket	2	C716
2b*	Foxwing Roof Tray Bracket New	2	CA1157
3	Foxwing Roof Tray Packer	2	C754
4	M6 Nyloc Nut	12	N013
5	M6 x 16 Stainless Flat Washer	12	W031
6	Fitting Instructions	1	RR213

\*Note: Item 2a and 2b are kit specific. 31103 will contain 2a, 31123 will contain 2b.



### 1 For ARB Tray (Steel - no mesh)

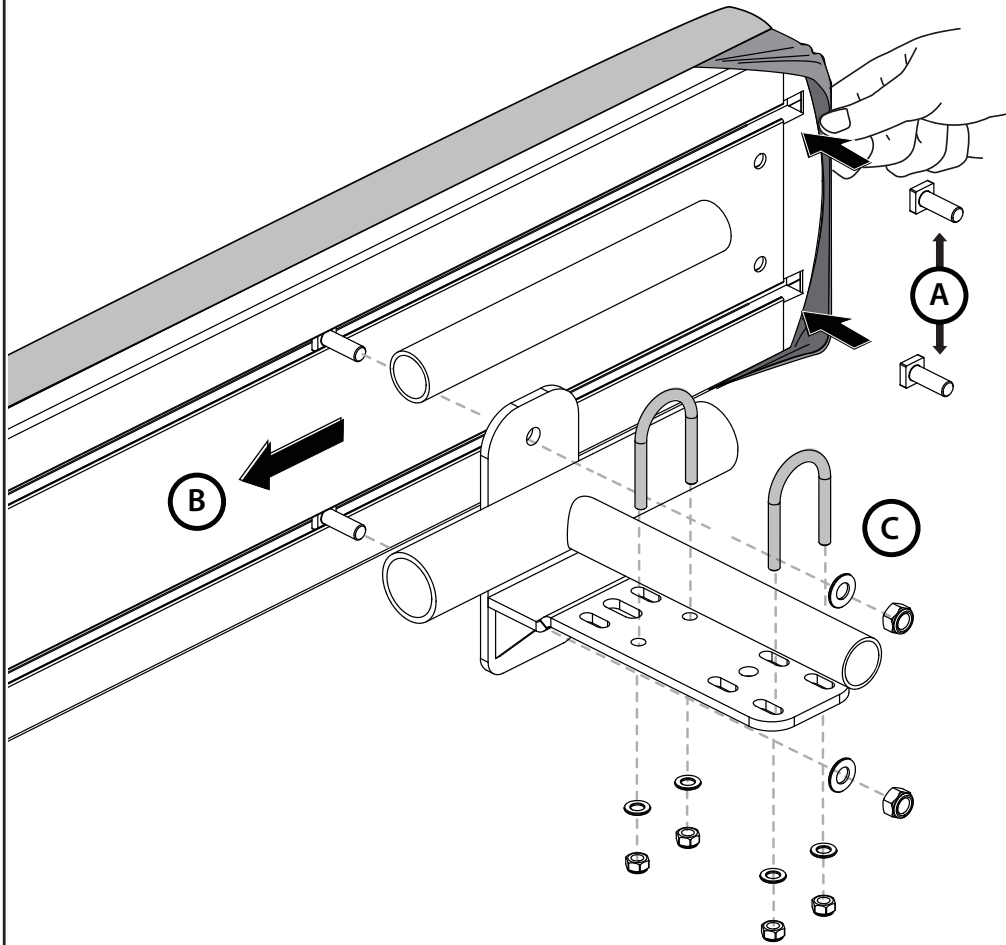




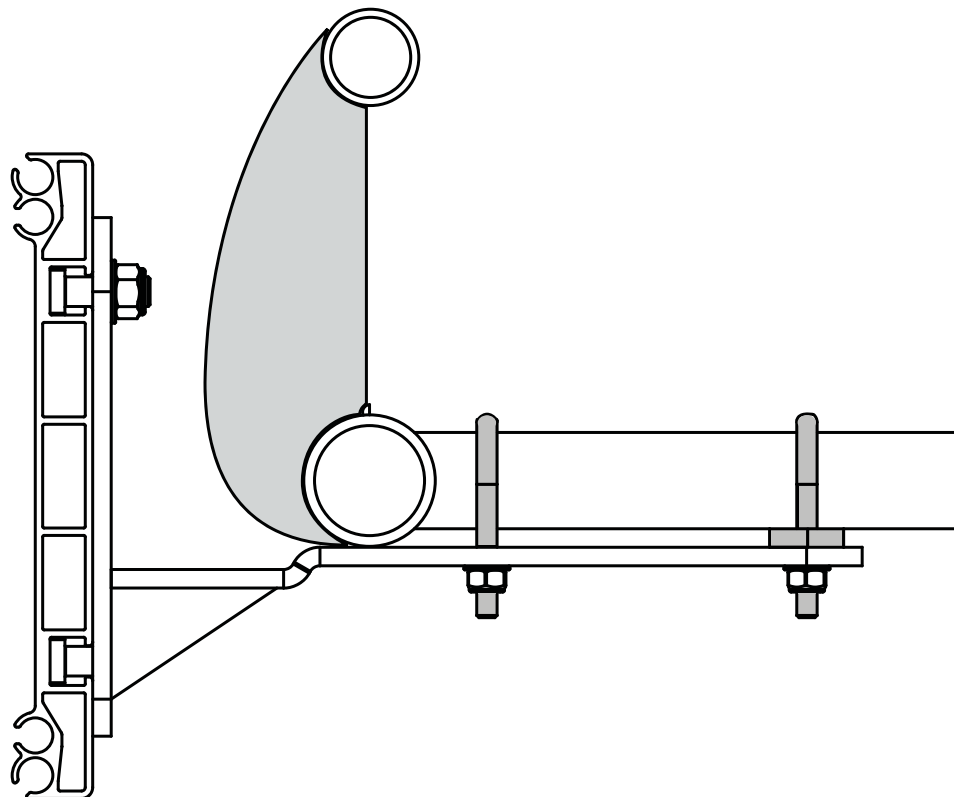
# Foxwing Universal Tubular Long Bracket Instruction

1

For ARB Tray (Steel - no Mesh)



2

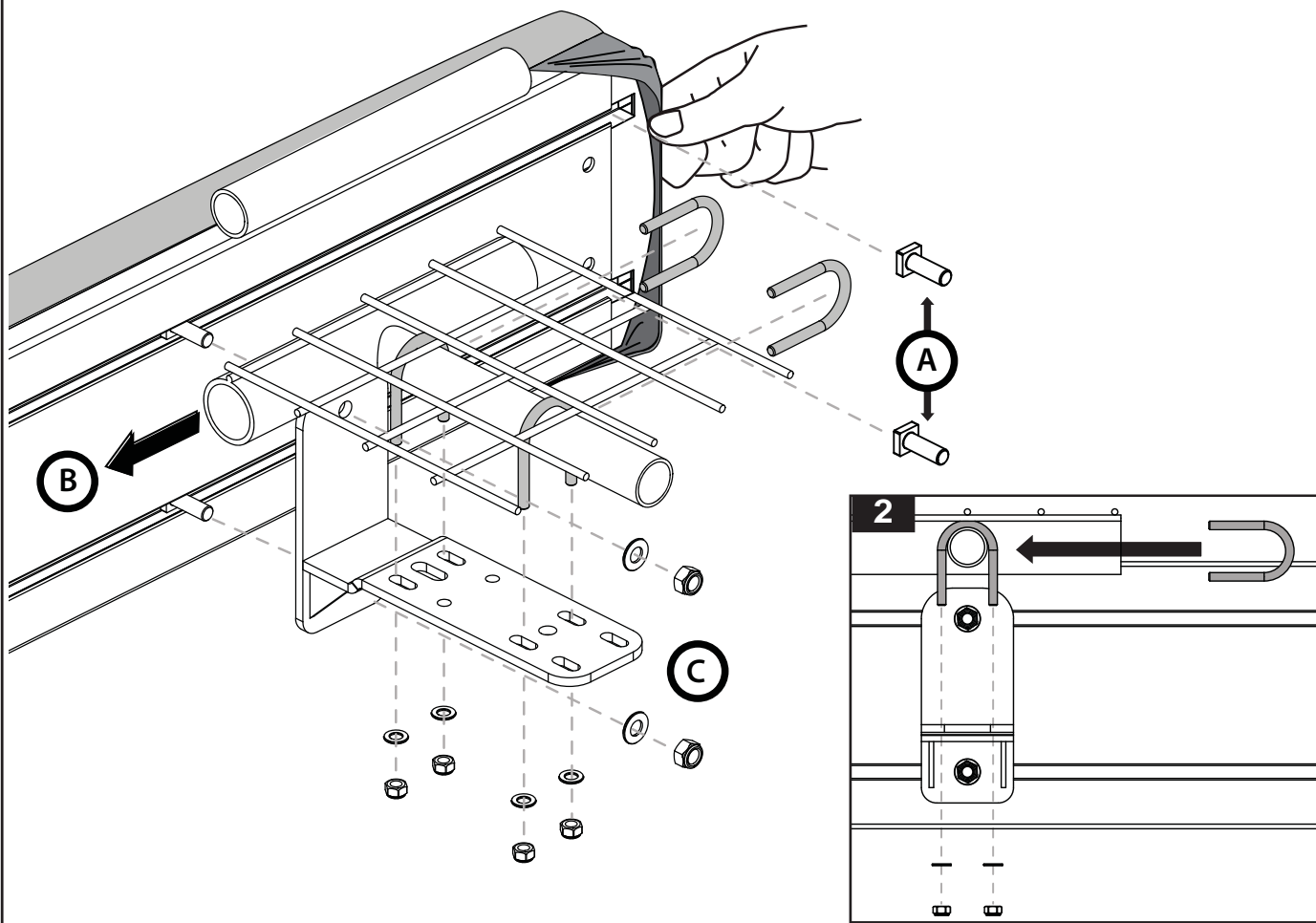




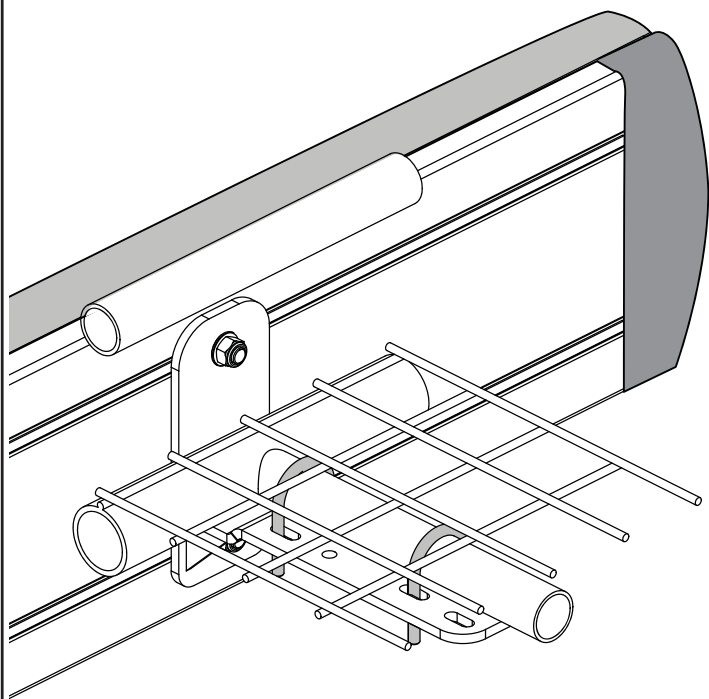
# Foxwing Universal Tubular Long Bracket Instruction

1

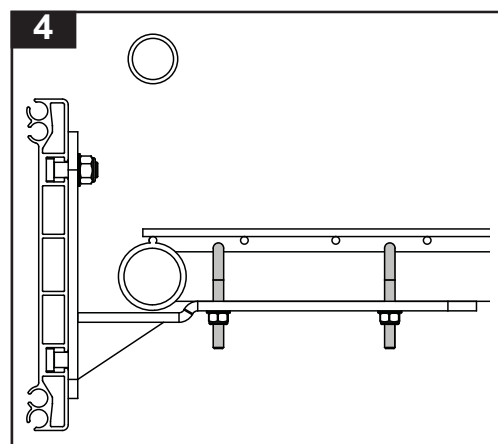
For ARB Tray (Steel with Mesh)



3



4

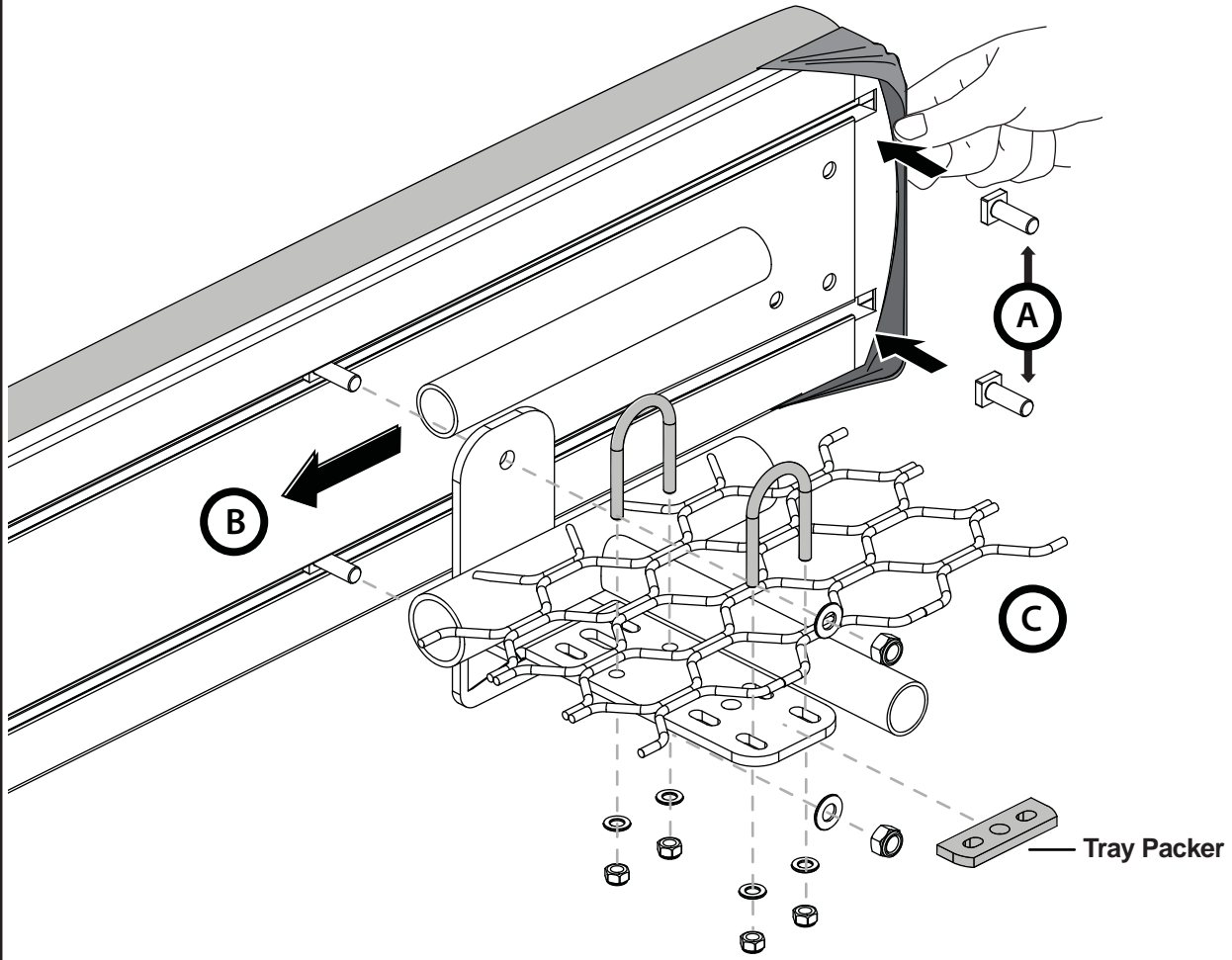




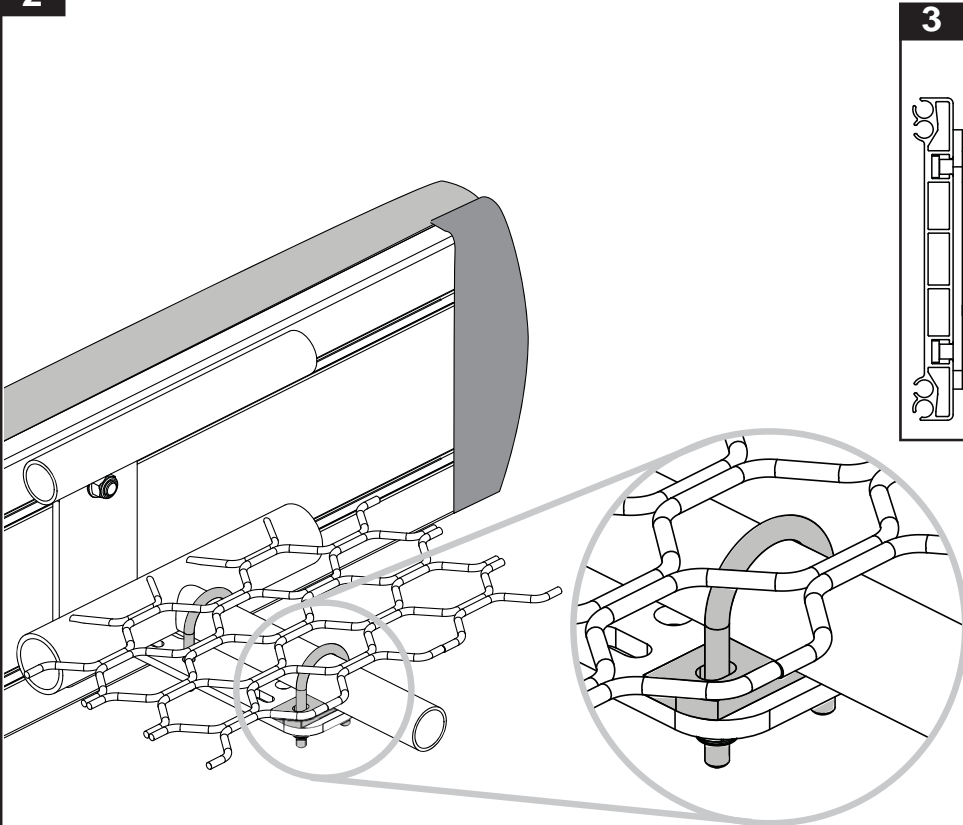
# Foxwing Universal Tubular Long Bracket Instruction

1

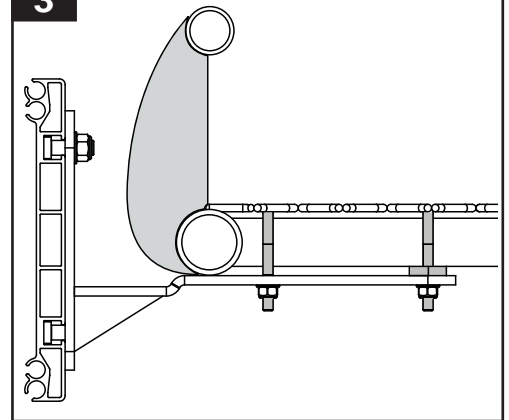
For ARB Tray (Alloy)



2

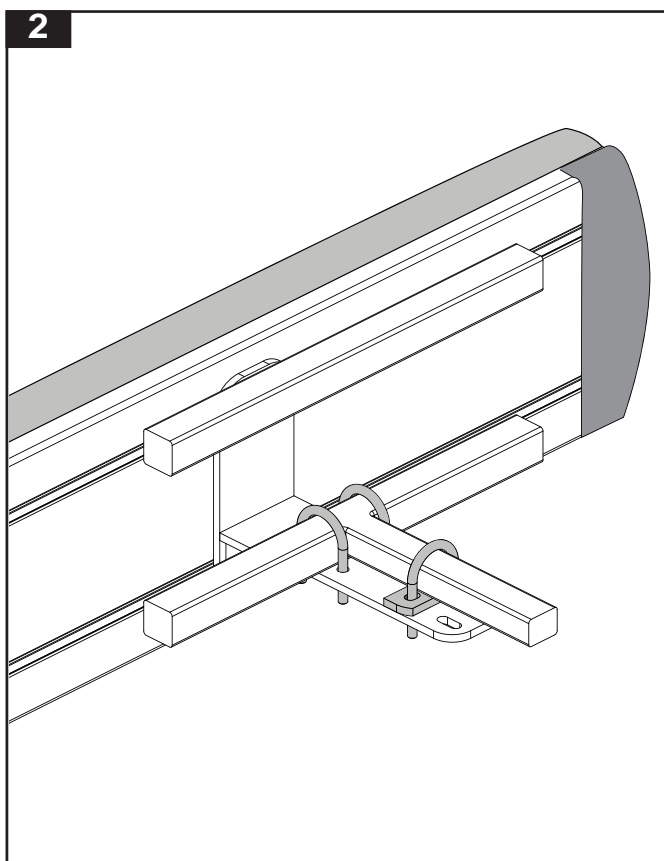
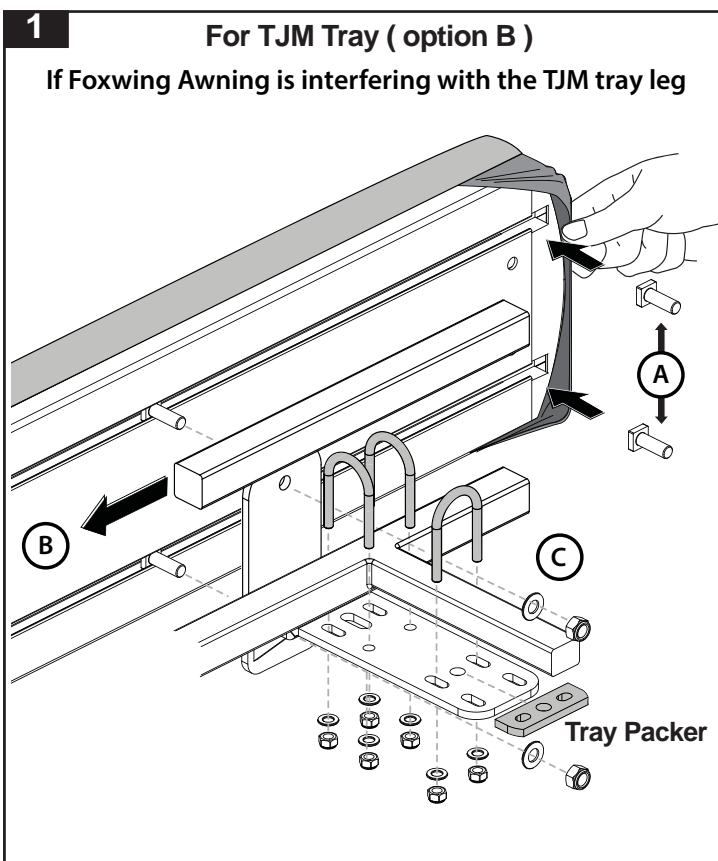
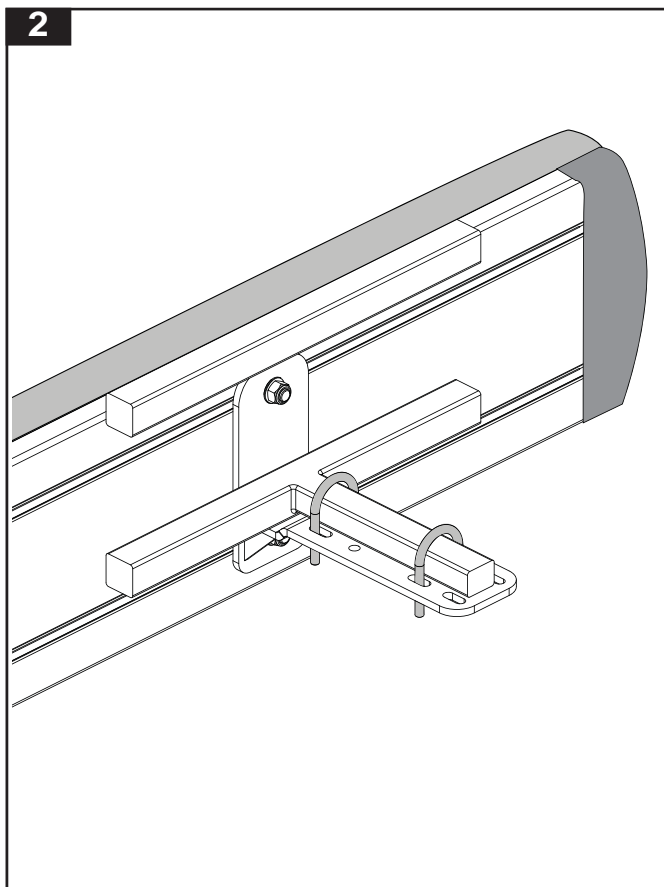
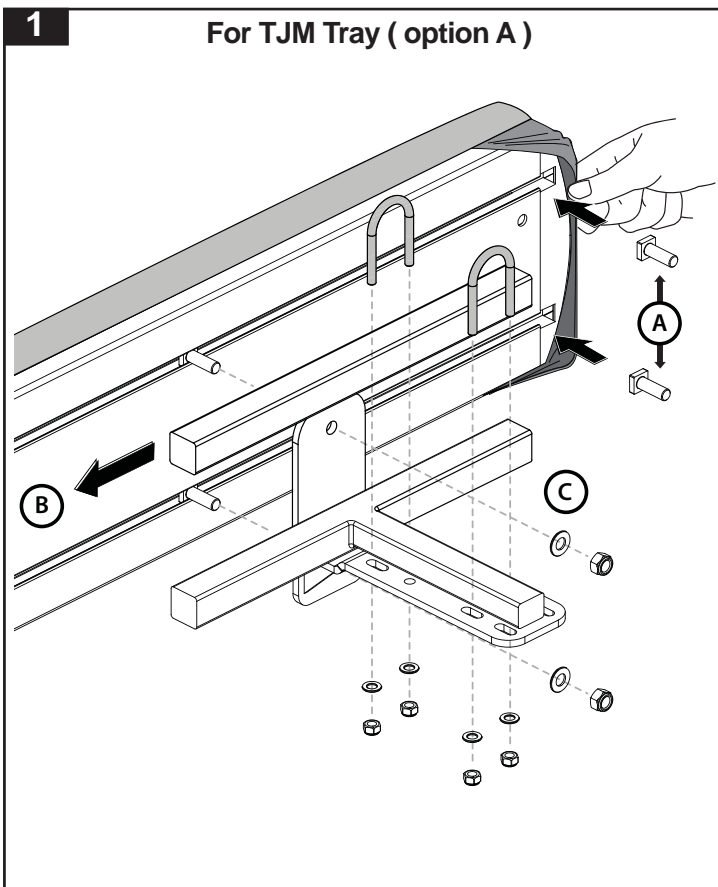


3





# Foxwing Universal Tubular Long Bracket Instruction



Rhino-Rack  
3 Pike Street, Rydalmere,  
NSW 2116, Australia.  
(Ph) (02) 9638 4744  
(Fax) (02) 9638 4822

Document No: RR213  
Prepared By: Andy Wana  
Authorised By: Gary England

Issue No: 04  
Issue Date: 01/03/2017